

Bedford County's

# COVID-19 WEEKLY UPDATE

April 8, 2020



# Table of Contents

- 2 - COVID-19 Call Center Information
  - 3 - Safety Reminders
  - 4 - CDC Face Coverings Guide
  - 7 - County Offices - Operations Status
    - *details for how to contact departments, get assistance, make payments, etc.*
  - 11 - Voter Information
  - 14 - 2020 Census - *revised schedule*
  - 15 - Assistance for Local Businesses (from the Economic Development Dept.)
    - *Financial and other types of aid related to COVID-19 for Local Businesses*
  - 17 - Public Library information
  - 18 - Tourism
  - 20 - Meeting Calendars (*please note that meeting calendars are subject to change frequently at this time*)
- 

## Board of Supervisors

John Sharp, Chair, District 4  
Charla Bansley, Vice-Chair, District 3  
Mickey Johnson, District 1  
Edgar Tuck, District 2  
Tommy Scott, District 5  
Bob Davis, District 6  
Tammy Parker, District 7

## County Administration

Robert Hiss, County Administrator  
Amanda Kaufman, Deputy County Administrator  
Patrick Skelley, County Attorney

## Contact Us

Main Tel: (540) 586-7601  
Fax: (540) 586-0406  
[www.bedfordcountyva.gov](http://www.bedfordcountyva.gov)  
122 E. Main Street, Suite 202  
Bedford, VA 24523





*here to help*

# BEDFORD COUNTY COVID-19 CALL CENTER

**This call center is set up to address non-emergency questions.**

*Our mission is to help Bedford County residents feel as safe as possible, while connecting you with resources that may address your needs.*

**CALL: 540-587-0720**

**EMAIL: COVID19-BedfordHelp@BedfordCountyVA.gov**

Phones will be answered Monday – Friday between 9am and 5pm.

A voicemail has been set up for calls that come in outside of those staffed hours.

*All emergencies should still dial 9-1-1.*

**Sign up for Emergency Notifications and other information:**

<http://alertbedford.com>

**A L E R T**  
**B E D F O R D**

RECEIVE NOTIFICATIONS OF EMERGENCIES AND CITIZEN INFORMATION SERVICES VIA



LANDLINE



CELLPHONE



EMAIL



SMS

# COVID-19 Call Center

## **Safety Reminders:**

- **Social Distancing:** Citizens are asked to practice social distancing; social distancing is deliberately increasing the physical space between people to avoid spreading illness. Staying at least six feet away from other people lessens your chances of catching the coronavirus.
- **Self-Quarantine:** People who have been exposed to the coronavirus and who are at risk for coming down with it are encouraged to practice self-quarantine. Health experts recommend that self-quarantine lasts 14 days.
- Two weeks provides enough time for them to know whether or not they will become ill and be contagious to other people.
- **Small Groups:** The presidential administration has limited gatherings to ten people or less and has issued a stay-at-home order.
- The [CDC recommends](#) wearing cloth face coverings in public settings where other social distancing measures are difficult to maintain (e.g., grocery stores and pharmacies), **especially** in areas of significant community-based transmission.
- **Governor Northam's most recent "Stay-At-Home" Order can be viewed [HERE](#).**

## **Bedford County Call Center:**

This call center is set up to address non-emergency questions. Its mission is to help Bedford County residents feel as safe as possible, while connecting them with the resources that may address their needs.

Dial 540-587-0720 or email [COVID19-BedfordHelp@BedfordCountyVA.Gov](mailto:COVID19-BedfordHelp@BedfordCountyVA.Gov). Phones will be answered Monday – Friday between 9am and 5pm. A voicemail has been set up for calls that come in outside of those staffed hours. All emergencies should still dial 9-1-1.

## **Local Information:**

For the latest updates on how COVID-19 is effecting our area, please visit <https://www.bedfordcountyva.gov/about-bedford/covid-19>

## **National and State Resources:**

Citizens are also encouraged to visit the links below for the most current information.

[www.cdc.gov/COVID19](http://www.cdc.gov/COVID19)

<http://www.vdh.virginia.gov/>

COVID-19 CALL CENTER

540.587.0720

Office Hours:

Monday - Friday

9:00 am - 5:00 pm

[COVID-19 Updates](#)

Emergencies: Dial 911

Sheriff's Office: 540.586.4800

Fire & Rescue: 540.587.0700

Social Services: 540.586.7750

# Use of Cloth Face Coverings to Help Slow the Spread of COVID-19

## How to Wear Cloth Face Coverings

Cloth face coverings should—

- fit snugly but comfortably against the side of the face
- be secured with ties or ear loops
- include multiple layers of fabric
- allow for breathing without restriction
- be able to be laundered and machine dried without damage or change to shape

## CDC on Homemade Cloth Face Coverings

CDC recommends wearing cloth face coverings in public settings where other social distancing measures are difficult to maintain (e.g., grocery stores and pharmacies), **especially** in areas of significant community-based transmission.

CDC also advises the use of simple cloth face coverings to slow the spread of the virus and help people who may have the virus and do not know it from transmitting it to others. Cloth face coverings fashioned from household items or made at home from common materials at low cost can be used as an additional, voluntary public health measure.

Cloth face coverings should not be placed on young children under age 2, anyone who has trouble breathing, or is unconscious, incapacitated or otherwise unable to remove the cloth face covering without assistance.

The cloth face coverings recommended are not surgical masks or N-95 respirators. Those are critical supplies that must continue to be reserved for healthcare workers and other medical first responders, as recommended by current CDC guidance.

## Should cloth face coverings be washed or otherwise cleaned regularly? How regularly?

Yes. They should be routinely washed depending on the frequency of use.

## How does one safely sterilize/clean a cloth face covering?

A washing machine should suffice in properly washing a cloth face covering.

## How does one safely remove a used cloth face covering?

Individuals should be careful not to touch their eyes, nose, and mouth when removing their cloth face covering and wash hands immediately after removing.



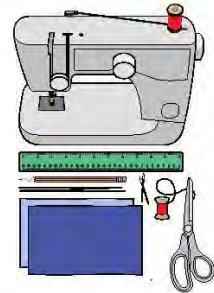
CS316353B 04/04/2020, 12:22 PM

[cdc.gov/coronavirus](https://cdc.gov/coronavirus)

## Sewn Cloth Face Covering

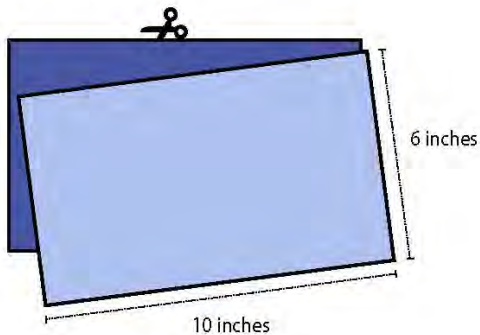
### Materials

- Two 10"x6" rectangles of cotton fabric
- Two 6" pieces of elastic (or rubber bands, string, cloth strips, or hair ties)
- Needle and thread (or bobby pin)
- Scissors
- Sewing machine

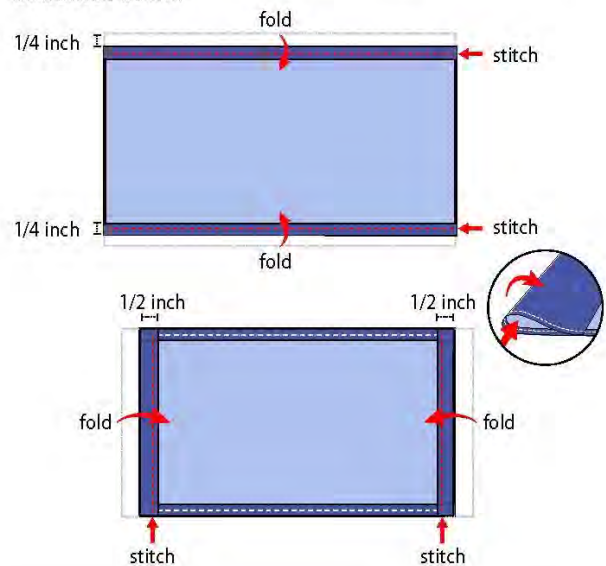


### Tutorial

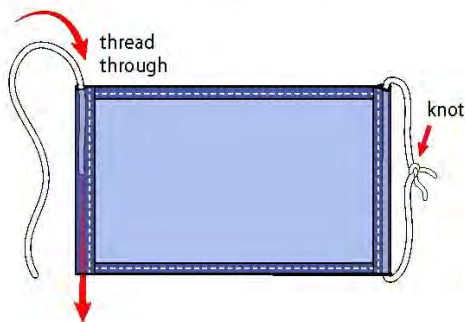
1. Cut out two 10-by-6-inch rectangles of cotton fabric. Use tightly woven cotton, such as quilting fabric or cotton sheets. T-shirt fabric will work in a pinch. Stack the two rectangles; you will sew the cloth face covering as if it was a single piece of fabric.



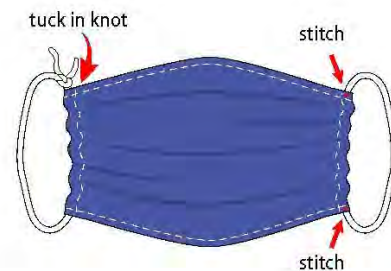
2. Fold over the long sides  $\frac{1}{4}$  inch and hem. Then fold the double layer of fabric over  $\frac{1}{2}$  inch along the short sides and stitch down.



3. Run a 6-inch length of  $\frac{1}{8}$ -inch wide elastic through the wider hem on each side of the cloth face covering. These will be the ear loops. Use a large needle or a bobby pin to thread it through. Tie the ends tight. Don't have elastic? Use hair ties or elastic head bands. If you only have string, you can make the ties longer and tie the cloth face covering behind your head.



4. Gently pull on the elastic so that the knots are tucked inside the hem. Gather the sides of the cloth face covering on the elastic and adjust so the cloth face covering fits your face. Then securely stitch the elastic in place to keep it from slipping.

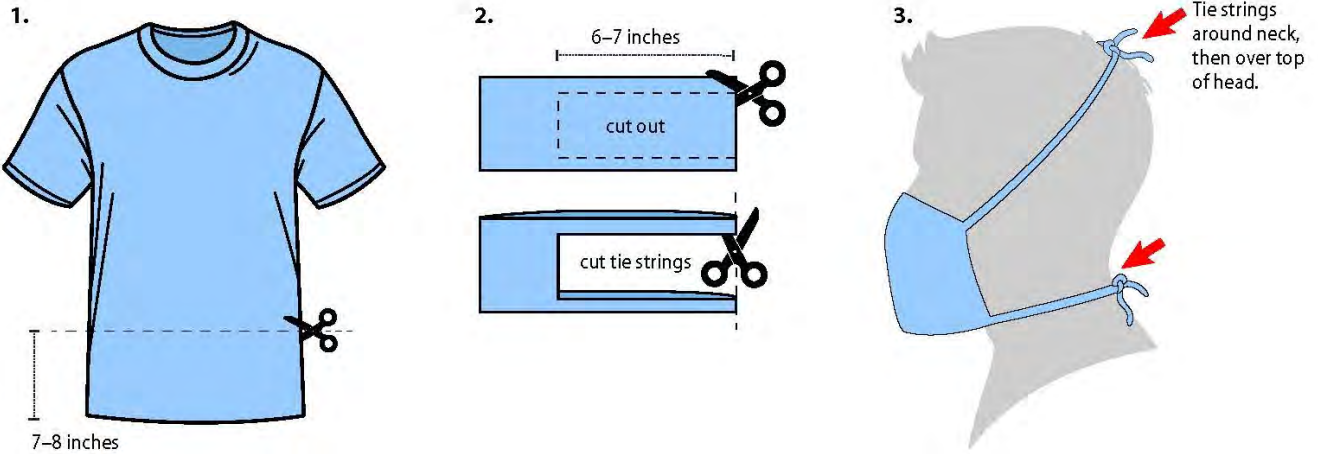


## Quick Cut T-shirt Cloth Face Covering (no sew method)

### Materials

- T-shirt
- Scissors

### Tutorial

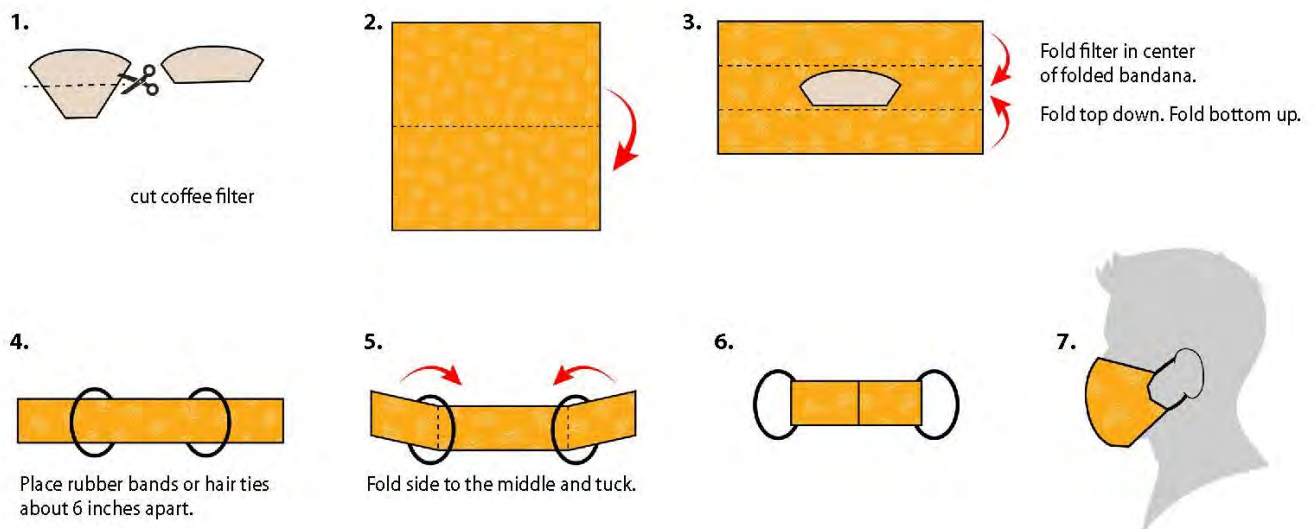


## Bandana Cloth Face Covering (no sew method)

### Materials

- Bandana (or square cotton cloth approximately 20"x20")
- Coffee filter
- Rubber bands (or hair ties)
- Scissors (if you are cutting your own cloth)

### Tutorial



# COVID-19 Operations Status

## **County Administration Building & Departments:**

The County Administration Building (122 E. Main Street, Bedford), is closed to the public. Staff can be reached at the main line: (540) 586-7601.

- **Community Development:**

Residents can apply for building, zoning, land disturbing permits and other plan types online using the County's self-service site: <https://selfservice.bedfordcountyva.gov/energoproduct/selfservice/home>. Staff will review and issue permits via email. Requested inspections are still on-going with additional precautions in place to protect staff and the residents from the spread of COVID-19. Those with questions can call (540) 586-7616.

- **Commissioner of Revenue Office:**

For inquiries regarding income tax filings please call (540) 586-7621.

- **Economic Development:**

Local, state, and federal resources available to businesses and workers impacted by COVID-19 are continually updated on the Bedford County Economic Development Website: [www.bedfordeconomicdevelopment.com/business-assistance/covid-19-resources/](http://www.bedfordeconomicdevelopment.com/business-assistance/covid-19-resources/). Those with questions can also call (540) 587-5670.

- **Finance:**

Payments to vendors will be sent via mail. No in-person pick-up of checks will be permitted.

- **Treasurer's Office:**

Please call (540) 586-7670 with any questions.

### **Payments can be made in several ways:**

- \* **Online:** Residents may use [www.officialpayments.com](http://www.officialpayments.com). To use this site, residents will need their account number, amount owed, and the jurisdiction code 1067. A small convenience fee is added per transaction.
- \* **Credit Card Payments Via Mail:** Tax payments can be mailed to 122 E. Main St, Suite 101, Bedford, VA 24523. For credit card payments through the mail please use the back of the bill or visit <https://www.bedfordcountyva.gov/about-bedford/covid-19> to download a credit card form (form is located under the FAQ section on the left hand side).
- \* **Check Payments Via Mail:** If possible, please include a copy of the tax bill and/or write the account number or RPC number on the check.
- \* **Drop Box:** Payments can be placed in the secure drop box located in front of the Administration Building on Main Street.

COVID-19 CALL CENTER

540.587.0720

Office Hours:

Monday - Friday

9:00 am - 5:00 pm

[COVID-19 Updates](#)

Emergencies: Dial 911

Sheriff's Office: 540.586.4800

Fire & Rescue: 540.587.0700

Social Services: 540.586.7750



# COVID-19 Operations Status

## **Registrar's Office:**

The Registrar's office (321 N. Bridge Street, Bedford) is closed to the public. Staff can be reached at (540) 586-7649.

Residents are encouraged to conduct voter registration and requests for absentee ballots through the Department of Elections website: <https://vote.elections.virginia.gov/VoterInformation>. All voters are eligible to use voter code 2A and COVID-19 as qualifying reasons to request absentee ballots for upcoming elections.

## **Animal Shelter**

The animal shelter (1307 Falling Creek Road, Bedford) is closed to the public. The shelter can be reached at (540) 586-7690.

Staff is still working in the facility to care for the animals. All adoptions, owner turn-ins, and the receiving of animals are suspended at this time.

If you are looking for a lost pet, please contact the shelter at 540-586-7690. If it is determined that your pet is in the shelter, staff will arrange a pick-up time and bring the animal out of the building to you. Please be sure to have proof of ownership (license, vet records, pictures, etc.) to assist in the return process. Do not arrive at the shelter unannounced.

## **Library System**

All six libraries in the Bedford County Public Library System are temporarily closed to the public. Returns are still being accepted, and overdue fines may be waived for items due after March 17, 2020. Library Staff can be reached at the following numbers to answer questions or address concerns:

- Bedford Central Library 540-586-8911
- Big Island Library 540-425-7000
- Forest Library 540-425-7002
- Moneta Library 540-425-7004
- Montvale Library 540-425-7006
- Stewartsville Library 540-425-7008

Library Card holders can access over 600,000 electronic materials, including books, audiobooks, online magazines and educational databases.

Information about current library services, hours, and online resources can be accessed at [www.bplsonline.org](http://www.bplsonline.org). Library cards can be issued over the phone for those who do not have one but would like to access online resources.

Free WIFI is still available at all locations and can be accessed from within your vehicle.

COVID-19 CALL CENTER

540.587.0720

Office Hours:

Monday - Friday

9:00 am - 5:00 pm

[COVID-19 Updates](#)

Emergencies: Dial 911

Sheriff's Office: 540.586.4800

Fire & Rescue: 540.587.0700

Social Services: 540.586.7750

# COVID-19 Operations Status

## **Parks & Recreation Facility at Falling Creek Park**

The Parks & Recreation Facility at Falling Creek Park (1257 County Farm Road, Bedford) is closed to the public.

The Parks & Recreation Department can be reached at (540) 586-7682.

The Cooperative Extension can be reached at (540) 586-7675.

Drop boxes are located at the front of the building for any paperwork or small returns.

- **Parks Facilities**

All playgrounds, shelters, restrooms, and fitness equipment at all County Parks remain closed to the public. The skate park is also closed to the public. Open space in parks and trails remain open for passive recreation only. No organized or group activities are permitted. The public should maintain social distance and be aware of all risks if choosing to visit these spaces.

- **Parks Reservations**

All reservations of Parks facilities or amenities through June 10, 2020 have been canceled. All registrations, rentals, reservations, and payments continue to be suspended until further notice.

- **Recreation Programming**

All programs, activities, trips, and reservations through June 10, 2020 are canceled.

Full refunds or full credits will be issued for all cancellations and staff will call each spring sports athletic participant. Please allow 2-4 weeks for the refund check to be mailed if you elect to receive a refund.

As soon as this action is reversed, updated information will be put on Facebook, and our Bedford County Parks and Recreation website. Please be sure to monitor those sites so you know when normal operations will resume.

## **Department of Social Services**

The Department of Social Services offices (122 E. Main Street, Bedford and 119 E. Main Street, Bedford) are closed to the public.

- **On site visits:** Family services staff will be dispatched out to valid cases as appropriate.
- **EBT Cards:** The issuance of Emergency EBT Cards will be determined by the agency and residents will be notified by a phone call when their Emergency EBT card is ready for pick up. If a customer's Virginia EBT card has been lost, stolen or is no longer working, they can call the EBT Customer Service Center at 1-866-281-2448 for a replacement EBT card.
- **SNAP Benefits:** If a customer wishes to apply for SNAP benefits they may do so by calling the Enterprise call center at 1-855-635-4370 or apply online at [www.commonhelp.virginia.gov](http://www.commonhelp.virginia.gov)
- **Healthcare:** Cover Virginia for Medicaid can be reached at 1-855-242-8282. Help answering questions regarding benefits can be found at [www.commonhelp.virginia.gov](http://www.commonhelp.virginia.gov).

**Health Insurance Marketplace** questions can be directed to 1-800-318-2596 or [www.healthcare.gov](http://www.healthcare.gov)

COVID-19 CALL CENTER

540.587.0720

Office Hours:

Monday - Friday

9:00 am - 5:00 pm

[COVID-19 Updates](#)

Emergencies: Dial 911

Sheriff's Office: 540.586.4800

Fire & Rescue: 540.587.0700

Social Services: 540.586.7750

# COVID-19 Operations Status

## **Solid Waste – Convenience Centers**

All convenience centers continue to operate. The public can continue to utilize these facilities to dispose of their household waste, but should comply with social distancing guidelines when visiting these sites. Questions can be directed to (540) 586-7656.

Spring yard waste collection will be available April 15 – May 15 for Bedford County Residents. There is a limit of 2 loads of brush per day, per household. Limbs, brush, leaves, and yard clippings will be accepted. No commercial businesses, no bags, no construction, and no boards/lumber accepted. The following Convenience Centers will accept yard waste daily between 7:00am and 7:00pm at the following Convenience Center sites:

- Blackwater Convenience Center
- Boonsboro Convenience Center
- Chamblissburg Convenience Center
- Forest Convenience Center
- Goode Convenience Center
- Moneta Convenience Center
- Montvale Convenience Center
- Otterville Convenience Center
- Stewartsville Convenience Center
- Stone Mountain Convenience Center

## **Welcome Center**

The Bedford Area Welcome Center (816 Burks Hill Road) is closed until further notice. Staff can be reached at (540) 587-5683; if no answer please leave a message. Please check [DestinationBedfordVA.com](http://DestinationBedfordVA.com) for information about virtual events and also follow on Facebook at Bedford Area Welcome Center and Destination Bedford Virginia for additional information and updates.

COVID-19 CALL CENTER

540.587.0720

Office Hours:

Monday - Friday

9:00 am - 5:00 pm

[COVID-19 Updates](#)

Emergencies: Dial 911

Sheriff's Office: 540.586.4800

Fire & Rescue: 540.587.0700

Social Services: 540.586.7750

# 2020 Census Operational Adjustments Due to COVID-19

The 2020 Census is underway and households across America are responding every day. In light of the COVID-19 outbreak, the U.S. Census Bureau has adjusted 2020 Census operations in order to:

- Protect the health and safety of Census Bureau employees and the American public.
- Implement guidance from federal, state, and local health authorities.
- Ensure a complete and accurate count of all communities.

The table below summarizes the adjustments to operations. Should any additional adjustment become necessary, the Census Bureau will promptly publish the change in an updated document.

## STATUS OF CURRENT OPERATIONS

Activity/Operation	Planned Schedule	Adjustment	Revised Schedule
Self-Response Phase (online, phone, mail)	March 12–July 31	Extended	March 12–August 14
Update Leave	March 15–April 17	Delayed	March 29–May 1
Update Enumerate	March 16–April 30	Suspended and extended	March 16–May 14
Mobile Questionnaire Assistance	March 30–July 31	Delayed	April 13–August 14
Early Nonresponse Followup (NRFU)	April 9–July 31	Delayed	May 7–August 14
Nonresponse Followup (NRFU) and NRFU Reinterview	May 13–July 31	Delayed	May 28–August 14
Group Quarters Enumeration	April 2–June 5	Delayed	April 16–June 19
Service-Based Enumeration	March 30–April 1	Delayed	April 29–May 1
Census counts people experiencing homelessness outdoors	April 1	Delayed	May 1
Enumeration of Transitory Locations	April 9–May 4	Delayed	April 23–May 18
Deliver apportionment counts to the President	By December 31	On schedule	By December 31
Deliver redistricting counts to states	By April 1, 2021	On schedule	By April 1, 2021

Connect with us  
@uscensusbureau

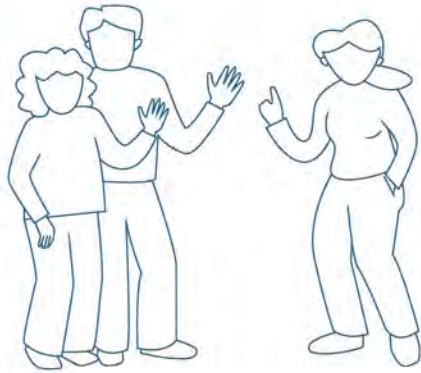
For more information:  
**2020CENSUS.GOV**

D-FS-GP-EN-017 March 21, 2020

**Shape  
your future  
START HERE >**

United States<sup>®</sup>  
**Census  
2020**

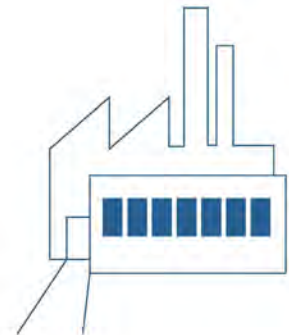
# Census data are being used all around you.



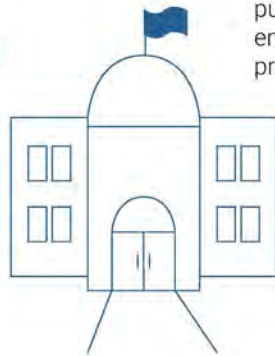
Residents use the census to support community initiatives involving legislation, quality-of-life and consumer advocacy.



Businesses use census data to decide where to build factories, offices and stores, which create jobs.



Local governments use the census for public safety and emergency preparedness.



Real estate developers use the census to build new homes and revitalize old neighborhoods.



# Your data are confidential.

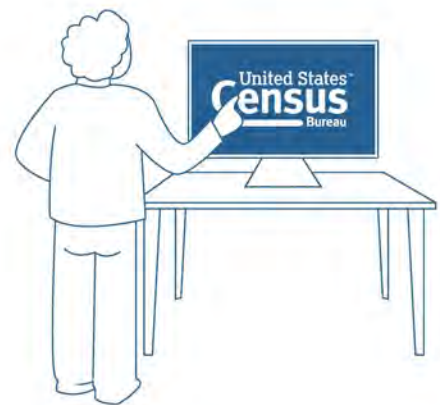
Federal law protects your census responses. Your answers can only be used to produce statistics.

By law we cannot share your information with immigration enforcement agencies, law enforcement agencies, or allow it to be used to determine your eligibility for government benefits.



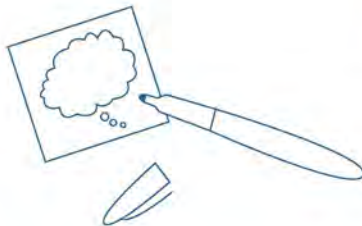
# 2020 will be easier than ever.

In 2020, you will be able to respond to the census online.



# You can help.

You are the expert—we need your ideas on the best way to make sure everyone in your community gets counted.



**United States**  
**Census**  
Bureau

U.S. Department of Commerce  
Economics and Statistics Administration  
U.S. CENSUS BUREAU  
[census.gov](https://www.census.gov)

FIND OUT HOW TO HELP AT  
[CENSUS.GOV/PARTNERS](https://www.census.gov/partners)

# CENSUS 101: WHAT YOU NEED TO KNOW

The 2020 Census is closer than you think!  
Here's a quick refresher of what it is and why it's essential that everyone is counted.

## Everyone counts.

The census counts every person living in the U.S. once, only once, and in the right place.

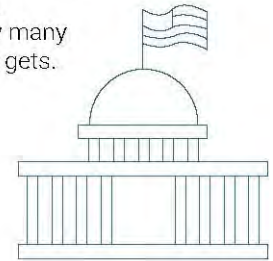


## It's in the Constitution.

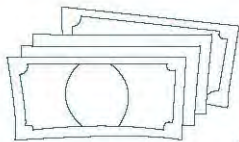
The U.S. Constitution requires a census every 10 years. The census covers the entire country and everyone living here. The first census was in 1790.

## It's about fair representation.

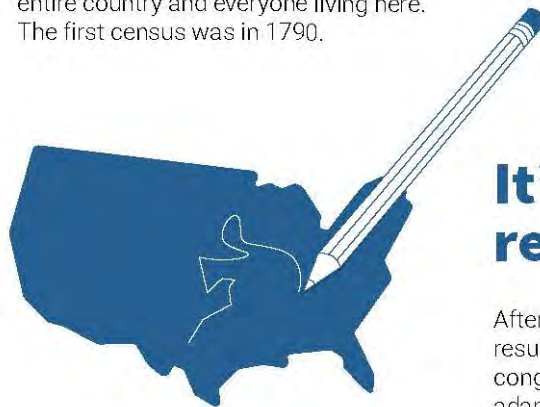
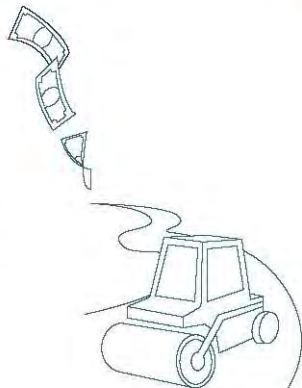
Every 10 years, the results of the census are used to reapportion the House of Representatives, determining how many seats each state gets.



## It means \$675 billion.



Census data determine how more than \$675 billion are spent, supporting your state, county and community's vital programs.

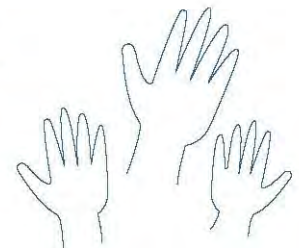


## It's about redistricting.

After each census, state officials use the results to redraw the boundaries of their congressional and state legislative districts, adapting to population shifts.

## Taking part is your civic duty.

Completing the census is required: it's a way to participate in our democracy and say "I COUNT!"



# Voter Information

## Primaries are Rescheduled for June 23, 2020

Voters concerned about going to polls to vote in the Primary due to COVID-19 may request an absentee ballot by mail using reason code 2A. Due to stay at home orders issued by the Governor, you are strongly encouraged to vote at home by absentee ballot.

You must first submit an Absentee Ballot Application. Once your application has been processed, an absentee ballot will be mailed to you.

You may request an absentee ballot online at [www.elections.virginia.gov](http://www.elections.virginia.gov) or by calling your Voter Registration Office at 540-586-7649.

When completing your Application for Absentee Ballot, you must indicate which primary you choose to influence. You may not participate in both primaries.

Questions regarding absentee voting may be directed to the Registrar at [b.gunter@bedfordcountyva.gov](mailto:b.gunter@bedfordcountyva.gov) or by calling 540-586-7649.

**Barbara J. Gunter**  
**General Registrar**  
**Bedford County**

BARBARA GUNTER, REGISTRAR

Contact Information:  
321 N. Bridge St.  
Suite 200  
Bedford, VA 24523

[website](#)

540..586.7649

Office Hours:  
Monday - Friday  
9:00 am - 5:00 pm  
(Closed to the Public  
at this time)

Democratic Primary Ballot is available to voters in the 5<sup>th</sup> Congressional District and will include the following candidates for Member House of Representatives:

- R. D. Huffstetler Jr.
- B. Cameron Webb
- Claire C. Russo
- John D. Lesinski

Republican Primary Ballot is available to all voters and will include the following candidates for Member United States Senate:

- Daniel M. Gade
- Thomas A. Speciale II
- Alissa A. Baldwin

## Attention Bedford County Business Community

With so much information coming so quickly, we want to provide the most helpful links regarding financial assistance for businesses affected by the COVID-19 crisis. We also invite you to join us tomorrow for the Lynchburg Regional Business Alliance's Wednesdays@One [Webinar series](#) (see below). This week's session features Senator Tim Kaine speaking on the details of the federal aid package, federal resources, and what Virginians can expect. Also, the Bedford Area Chamber of Commerce has a nice lineup for [Friday's Connect 40 webinar](#) that features help for small businesses and an update on our county's health and safety during this pandemic.

### Coronavirus Aid, Relief, and Economic Security (CARES) Act

The Senate recently passed the [Coronavirus Aid, Relief and Economic Security \(CARES\) Act](#) which will speed relief across the American economy. This Act will provide relief through checks sent directly to individual tax-payers, small businesses, large corporations, and hospitals among others. The CARES act paves the way for the Paycheck Protection Plan and Economic Injury Disaster Loans. [Read more details here.](#)

### Paycheck Protection Plan (P3)

The Paycheck Protection Program (P3) is designed to provide a direct incentive for small businesses to keep their workers on payroll by providing each small business a loan up to \$10 million for payroll and certain other expenses.

If all employees are kept on payroll for eight weeks, SBA will forgive the portion of the loans used for payroll, rent, mortgage interest, or utilities. Up to 100 percent of the loan is forgivable. [Read more about eligibility requirements here.](#)

### COVID-19 Economic Injury Disaster Loan (EIDL)

In response to the Coronavirus (COVID-19) pandemic, small business owners in all U.S. states, Washington D.C., and territories are eligible to apply for an [Economic Injury Disaster Loan \(EIDL\) advance of up to \\$10,000](#). The SBA's EIDL program provides small businesses with working capital loans of up to \$2 million that can provide vital economic support to small businesses to help overcome the temporary loss of revenue they are experiencing. The loan advance will provide economic relief to businesses that are currently experiencing a temporary loss of revenue. **Funds will be made available within three days of a successful application, and this loan advance will not have to be repaid.**

We recommend you go ahead and apply for the EIDL program. You are under no obligation to take the loan once approved. However, **you must apply for the loan in order to get the \$10,000 loan advance (grant)**. This grant does not have to be repaid, even if you don't take the full loan. **Expires September 30, 2020.** [Apply Here for the EIDL program.](#)

---

TRACI BLIDO, DIRECTOR

Contact Information:  
County Administration Building  
122 E. Main Street  
Suite 202  
Bedford, VA 24523

[website](#)

Phone: (540) 587-5670

Office Hours:  
Monday - Friday  
8:30 am - 5:00 pm

---

You can follow Bedford County Economic Development on





Continued...

## Join the Lynchburg Regional Business Alliance for Wednesdays@One Webinar Series

Tomorrow's **Wednesdays@One** webinar, *the Case of the Commonwealth*, will feature US Senator Tim Kaine speaking on the details of the federal aid package, federal resources, and what Virginians can expect.

You will also hear from Barry Duval, President and CEO of the Virginia Chamber of Commerce and Dr. Kerry Gateley, the Health Director for the Virginia Department of Health. Mr. Duval will give a business update and share what the Virginia Chamber is doing to assist in this time. Dr. Gateley will speak on the state of the Commonwealth and what we can expect over the next 30-60 days. A Q&A session will follow. Be sure to join us on the call for vital information from state officials!

Join via this link: <https://zoom.us/j/887406585>

## Helping someone apply for unemployment?

If you know someone who needs to file for unemployment – either during an interim period or longer – please provide this link: <http://www.vec.virginia.gov/> or have them call 1-866-832-2363. They will need to have the following things ready to complete a claim: Social Security #, accurate employer information for ALL employers worked for during the last 18 months (name, address, phone number, dates of employment); bank account number and routing number (to receive payment by direct deposit.)

Let [Pam Bailey](#) or me know how we can help you during this troubling time. We will get through it.

**(Please note: We are updating this COVID-19 Resources [page on our website](#) daily so please bookmark that.)**

---

TRACI BLIDO, DIRECTOR

Contact Information:  
County Administration Building  
122 E. Main Street  
Suite 202  
Bedford, VA 24523

[website](#)

Phone: (540) 587-5670

Office Hours:  
Monday - Friday  
8:30 am - 5:00 pm

---

You can follow Bedford County Economic Development on



# Public Library System

## Access Over 600,000 Virtual Library Resources!

The Bedford Public Libraries in Bedford, Big Island, Forest, Moneta, Montvale and Stewartsville will discontinue curbside pickup in order to support the Governor's Executive Order 55 objectives. Pickup service will stop on Tuesday, March 31 at 6pm. Individuals picking up items should call ahead to ensure their items are ready for pickup.

Library staff will continue to be available to answer phones at the libraries and to provide verbal assistance in using the library electronic resources, including access to over 600,000 downloadable books and audiobooks for all reading levels. Information about current library services, and hours can be found at <https://www.bplsonline.org> or by calling their local library branch:

- Bedford Central Library 540-586-8911
- Big Island Library 540-425-7000
- Forest Library 540-425-7002
- Moneta Library 540-425-7004
- Montvale Library 540-425-7006
- Stewartsville Library 540-425-7008

Citizens are encouraged to go to the below listed websites for the most current information.

Additionally, you are encouraged to seek official sources of information and avoid non-official sources.

[www.cdc.gov/COVID19](http://www.cdc.gov/COVID19)

<http://www.vdh.virginia.gov/>

<https://www.bedfordcountyva.gov/about-bedford/covid-19>

JENNY NOVALIS, DIRECTOR

Contact Information:

[website](#)

Bedford Central Library  
321 N. Bridge Street  
Bedford, VA 24523  
(540)-586-8911

Big Island Library  
1111 Schooldays Road  
Big Island, VA 24526  
(540) 425-7000

Forest Library  
15583 Forest Road  
Forest, VA 24551  
(540) 425-7002

Moneta/SML Library  
13641 Moneta Road  
Moneta, VA 24121  
(540) 425-7004

Montvale Library  
11575 Lynchburg Salem  
Trpk.  
Montvale, VA 24122  
(540) 425-7006

Stewartsville Library  
45 Cascade Drive  
Vinton, VA 24179  
(540) 425-7008



## Connect with Destination Bedford!

In the new age of social distancing, [Destination Bedford](#) is proud to bring you virtual offerings from area attractions and businesses, as well as share information about local businesses that are still open and adapting to serve your needs!

**History** - The National D-Day Memorial is offering a selection of digital resources including online lesson plans and activities, virtual programs, online lunchbox lecture series, and virtual tours of the Memorial! Find out more by clicking [here](#). The spring newsletter of Thomas Jefferson's Poplar Forest is viewable [here](#).

**Music** - [Ricky's Bluegrass Connection](#) has moved their Friday Night Jams to online (tune in Friday nights at 7 p.m.), and is also offering online music classes and fun activities for children! You can help support other local musicians and enjoy free Facebook Live Concerts by joining the Facebook Group [SML Local Musicians!](#)

**Art** - The [Bower Center for the Arts](#) is Bedford's premier destination for the arts! Check out their [website](#) for ideas on bringing the arts into your home. They will share tips on how to get creative with items you probably already have at home, as well as share live workshops and maybe even some virtual yoga classes!

**Shopping** - Small businesses are working hard to adapt and make shopping easier than ever. Many are offering special online deals, virtual tours of their store, outside shopping, and delivery and shipping of their items! Find out more at [Buy Bedford: We Shop Local](#) and [We Shop Local SML](#).

NICOLE JOHNSON, DIRECTOR

Contact Information:  
Bedford Area Welcome Center  
816 Burks Hill Road  
Bedford, VA 24523

[website](#)

Phone: (540) 587.5681  
Toll Free: 1.877.447.3257  
Fax: (540) 587.5983

Office Hours:  
Monday - Friday  
8:30 am - 5:00 pm



NICOLE JOHNSON, DIRECTOR

Contact Information:  
Bedford Area Welcome Center  
816 Burks Hill Road  
Bedford, VA 24523

[website](#)

Phone: (540) 587.5681  
Toll Free: 1.877.447.3257  
Fax: (540) 587.5983

Office Hours:  
Monday - Friday  
8:30 am - 5:00 pm

**Dining** - Many local restaurants are still open, offering curbside carryout and delivery options so you can continue to support your favorite restaurants! Find out who is open and about special deals by following [CVABC Curbside & Carryout](#) and [SML Local Restaurants](#) on Facebook. You can also check the dining options on our [website](#). We recommend calling ahead to verify business hours.

**Beer & Wine** - Tap rooms and tasting rooms may be closed, but you can have your favorite local wine and beer delivered (or pick it up if you're close by). These include [Beale's](#), [Apocalypse Ale Works](#), [Peaks of Otter Winery](#), and [Hickory Hill Winery](#). Peaks of Otter Winery will even ship direct and is offering a discount on case orders!

**The Great Outdoors** - Boost your physical and mental health by staying active and getting plenty of fresh air. Kayak, hike, bike, go for a walk, play a round of disc golf, go fishing, or horseback riding...the possibilities are endless in Destination Bedford! Just remember to practice social distancing, even when you're outside. For outdoor adventure opportunities, click [here](#).

**Fitness** - The Bedford YMCA's fitness instructors have put together a series of [online virtual workouts](#) that you can access from home! They include Body Focus, Stretching, Power of 45, Abs, LaBlast, Cross Training Lite, and even an April Fitness Challenge with an added Planks and Push-up Challenge! Give it a try!

The staff at Destination Bedford is working hard to keep the [event calendar](#) updated with virtual events as well as list the new dates of those events that have been postponed. Check back often for updates, as well as trip itineraries and scenic drive routes that will be added to the website soon!



The tourism office manages three Facebook pages – [Destination Bedford VA](#), [Bedford Area Welcome Center](#) and [Bedford Wine Trail](#). If you are on Facebook, please “like” and follow these pages. We are also on [Instagram](#), [Twitter](#), and [TripAdvisor](#).



# 2020 Meeting Calendar

## Board of Supervisors:

<b>April</b>	<b>27</b>	Regular Meeting at 7:00 pm (Budget Public Hearing and Tax Rate Adoption)
<b>May</b>	<b>11</b>	Work Session with VDOT at 5:00 pm; VDOT Public Hearing on 6-Year Plan at 6:00 pm
	<b>26</b>	Regular Meeting – Adopt Budget ( <i>Tuesday</i> ) at 7:00 pm
<b>June</b>	<b>8</b>	Work Session beginning at 5:00 pm (topic TBD)
	<b>22</b>	Regular Meeting at 7:00 pm
<b>July</b>	<b>13</b>	Work Session beginning at 5:00 (topic TBD)
	<b>27</b>	Regular Meeting at 7:00 pm
<b>August</b>	<b>10</b>	Work Session from 5:00 – 6:30 pm; (VDOT and topic TBD), Regular Meeting at 7:00 pm ( <i>Adopt PPTRA Rate</i> )
<b>September</b>	<b>14</b>	Work Session beginning at 5:00 pm (topic TBD)
	<b>28</b>	Regular Meeting at 7:00 pm
<b>October</b>	<b>13</b>	Annual Joint Meeting with EDA beginning at 5:00 pm ( <i>Tuesday</i> )
	<b>26</b>	Regular Meeting at 7:00 pm
<b>November</b>	<b>9</b>	Worksession beginning at 5:00 pm (VDOT)
	<b>23</b>	Regular Meeting
<b>December</b>	<b>14</b>	Work Session 5:00 pm; Regular Meeting at 7:00 pm

**SPECIAL NOTICE:** Due to the County Administration Building being closed to the public, all meetings will be livestreamed at [https://www.youtube.com/channel/UCBzOacHR8FFKq\\_7paYOWLhg](https://www.youtube.com/channel/UCBzOacHR8FFKq_7paYOWLhg).

The Board of Supervisors meets on the second Monday at 5:00 pm for Worksessions and the fourth Monday at 7:00 pm for Regular Board Meetings (unless otherwise noted) in the Boardroom of the Bedford County Administration Office, 122 E. Main Street, Bedford, Virginia. Board information, agendas, minutes, etc., can be found [HERE](#).

## Planning Commission:

Planning Commission meetings are held the third Tuesday of each month at 7:00 pm in the Bedford County Administration Building Boardroom, 122 East Main Street Bedford, Virginia.

- **April 21**
- **May 19**
- **June 16**
- **July 21**
- **August 18**
- **September 15**
- **October 20**
- **November 17**
- **December 15**
- **January 19, 2021**

# 2020 Meeting Calendar

## Economic Development Authority:

<b>May</b>	7	Regular Meeting
<b>June</b>	4	Regular Meeting
<b>July</b>	2	Regular Meeting
<b>August</b>	6	Regular Meeting
<b>September</b>	3	Regular Meeting
<b>October</b>	13	Joint Meeting w/Board of Supervisors ( <b>Tue.</b> – 5 p.m.)
<b>November</b>	5	Regular Meeting
<b>December</b>	3	Regular Meeting

## 2021

<b>January</b>	7	Regular Meeting (Thursday)
----------------	---	----------------------------

All *regular meetings* are held at **5:30 p.m.** in the Board of Supervisors Meeting Room unless otherwise noted.

The annual joint meeting with the Board of Supervisors will be held at **5:00 p.m.** in the Ground Floor Training Room. Short EDA Business Meeting to immediately follow, if needed. The Economic Development Authority reserves the right to modify this schedule as necessary. Special meetings, such as a Planning Day, may be added as necessary.

## Agricultural Economic Development Advisory Board:

<b>May</b>	6	Regular Meeting
<b>June</b>	3	Regular Meeting
<b>July</b>	1	Regular Meeting
<b>Aug.</b>	5	Regular Meeting
<b>Sept.</b>	2	Regular Meeting
<b>Oct.</b>	7	Regular Meeting
<b>Nov.</b>	4	Regular Meeting
<b>Dec.</b>	2	Regular Meeting

Meetings are held the first Wednesday of each month at 7:30 pm from April to October; and 7:00 pm from November to March. When a holiday falls on the first Wednesday, the meetings are generally held the following Wednesday. Meetings are held in the Peaks Rooms of the Parks and Rec/Coop Extension Building (Falling Creek Center), 1257 County Farm Road, Bedford, Virginia unless otherwise noted. See [Calendar](#) for latest information. You can find the agendas and minutes from each meeting on our [Ag Board Agendas & Minutes](#) page.

